

Revisions			217115	A	
LAL	Rev.	Description	Chk	Date	Approved
	A	ENGRG RELEASE	RF	11-18-77	R. Freeman

**ENGINEERING
RELEASE**

THIS DOCUMENT CONTAINS 13 SHEETS.

Dist Code **SPG**

These drawings and specifications, and the data contained therein, are the exclusive property of Xerox Corporation and/or Rank Xerox, Ltd. issued in strict confidence and shall not, without the prior written permission of Xerox Corporation or Rank Xerox, Ltd., be reproduced, copied or used for any purpose whatsoever, except the manufacture of articles for Xerox Corporation or Rank Xerox, Ltd.	Notes Unless Specified		Drawn <i>Wickham</i> 11-15-77	Xerox Corporation El Segundo, California		XEROX
	1. Tolerances .XX ±.03 Angular ±½° .XXX ±.010		Check <i>RF</i>	Title <i>XM</i>		
	2. Break All Sharp Edges .010 Approx. 3. Mach. Surfaces <input checked="" type="checkbox"/>		Appr. <i>R. Freeman</i> 11-18-77	ASSEMBLY, PRINTED WIRING-		<u>MEMORY DATA INTERFACE</u> (EXTENDED MEMORY)
	4. All Dim. in Inches		Material			
M. No. ALTO II First Use	Finish	Code Ident.	Size	Dwg. No.		Change Letter
Next Assy. First Use 216647		18338	A	217115		A
		Scale -	Do Not Scale Drawing		Sheet 1	OF

NOTES: UNLESS OTHERWISE SPECIFIED


1. MAKE FROM ASSY, PW-MEMORY DATA INTERFACE, P/N 216312 REV E.
2. THE FOLLOWING MODIFICATIONS ARE REQUIRED FOR EXTENDED MEMORY APPLICATION:

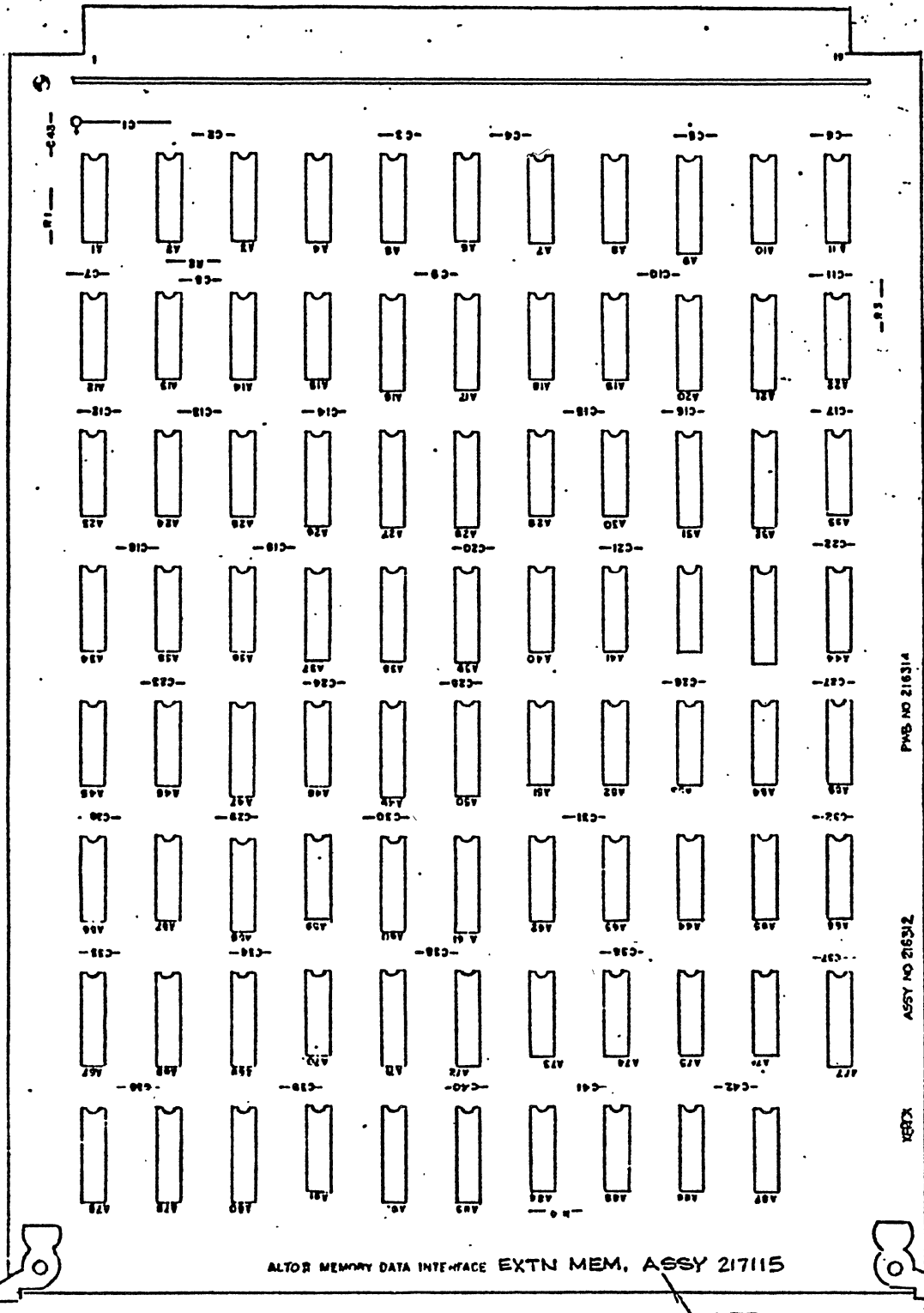
1)	ADD WIRE FROM	PIN 32	TO	A43-4
2)		PIN 33		A43-5
3)		A43-1		A21-1
4)		A43-9		A21-9
5)		A43-2		A42-2
6)		A43-7		A42-5
7)		A19-10		A42-1
8)		A42-1		A42-4
9)		A42-3		A59-11
10)	ADD WIRE FROM	A42-6	TO	A59-8
11)				
12)				
13)				
14)				
15)				
16)	INSTALL MICROCIRCUIT 74S175 (ITEM 2) IN LOCATION A43.			
17)	INSTALL MICROCIRCUIT 7438 (ITEM 3) IN LOCATION A42.			

3 RUBBER STAMP "EXTN MEM., ASSY NO. 217115, .12 HIGH, WHITE CHARACTERS.

These drawings and specifications, and the data contained therein, are the exclusive property of Xerox Corporation and/or Rank Xerox, Ltd. issued in strict confidence and shall not, without the prior written permission of Xerox Corporation or Rank Xerox, Ltd., be reproduced, copied or used for any purpose whatsoever, except the manufacture of articles for Xerox Corporation or Rank Xerox, Ltd.

Title
 ASSY, PRINTED WIRING-
 MEMORY DATA INTERFACE
 (EXTENDED MEMORY)

<u>Xerox Corporation</u> El Segundo, California		
217115	A	
Sheet	2	Of



ALTR MEMORY DATA INTERFACE EXTN MEM, ASSY 217115

3

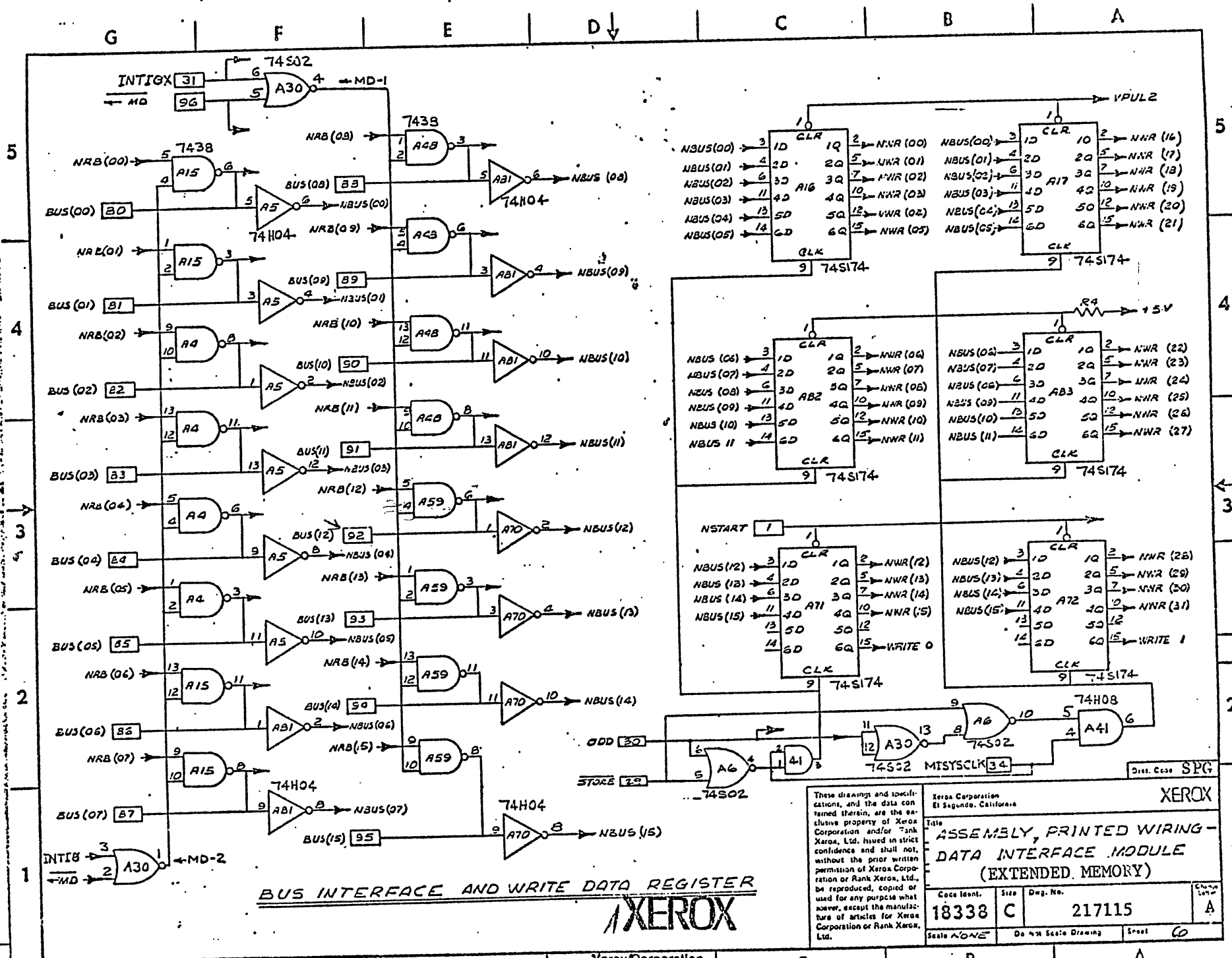
drawings and specifications, and the data contained therein, are the exclusive property of Xerox Corporation and/or Rank Xerox, Ltd. issued in strict confidence and shall not, without the prior written permission of Xerox Corporation or Rank Xerox, Ltd., be reproduced, copied or used for any purpose whatsoever, except the manufacture of articles for Xerox Corporation or Rank Xerox, Ltd.

Title
 ASSY, PRINTED WIRING-
 MEMORY DATA INTERFACE
 (EXTENDED MEMORY)

Xerox Corporation
 El Segundo, California

XEROX

	217115	A
Sheet	3	Of



BUS INTERFACE AND WRITE DATA REGISTER



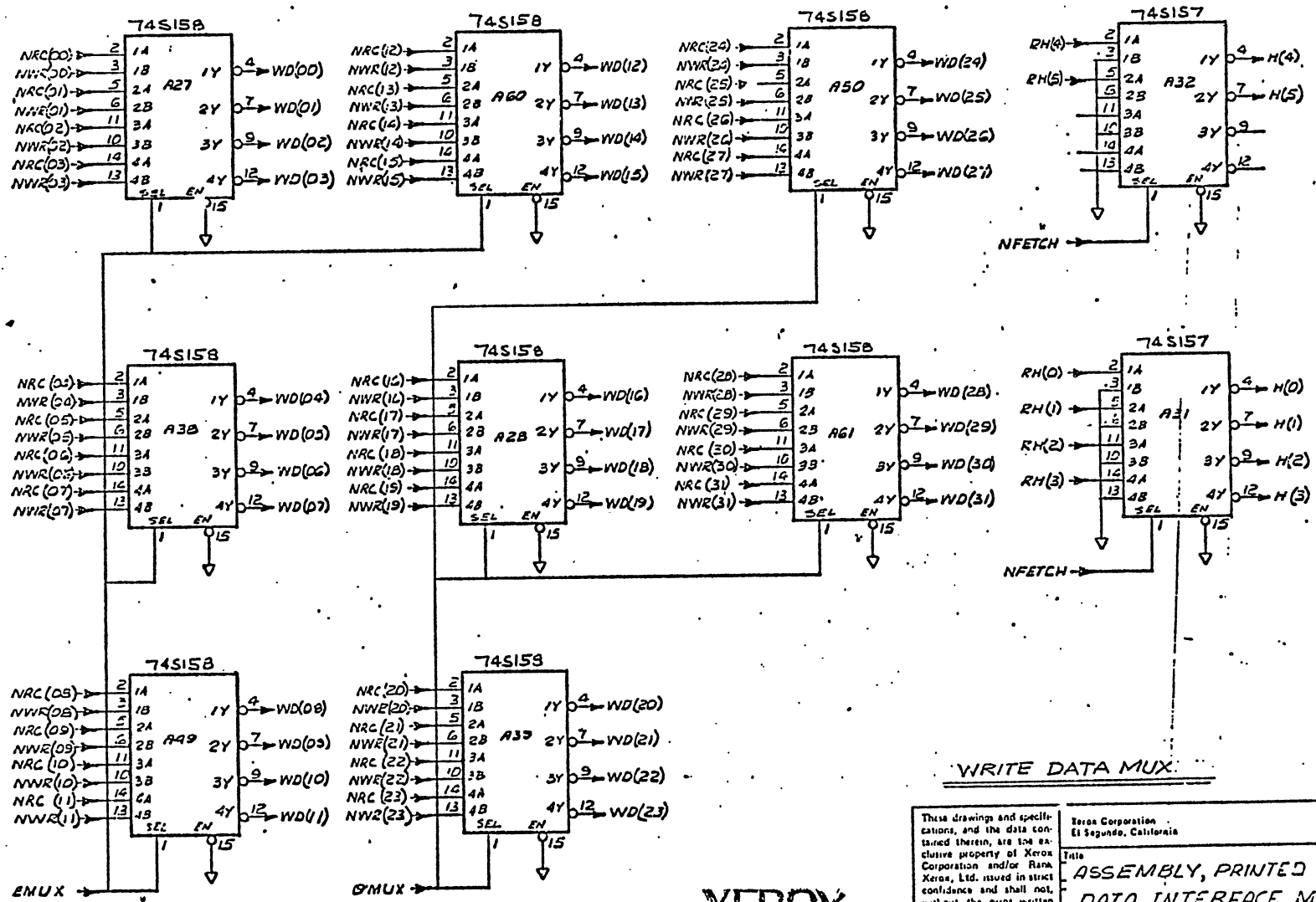
These drawings and specifications, and the data contained therein, are the exclusive property of Xerox Corporation and/or Rank Xerox, Ltd. In strict confidence and shall not, without the prior written permission of Xerox Corporation or Rank Xerox, Ltd., be reproduced, copied or used for any purpose whatsoever, except the manufacture of articles for Xerox Corporation or Rank Xerox, Ltd.

Xerox Corporation El Segundo, California		XEROX	
Title ASSEMBLY, PRINTED WIRING-DATA INTERFACE MODULE (EXTENDED MEMORY)			
Code Issued:	Size	Eng. No.	Rev.
18338	C	217115	A
Scale NONE	Do Not Scale Drawing	Sheet 60	

G F E D C B A

5
4
3
2
1

5
4
3
2
1



WRITE DATA MUX.

Dist. Code SPG

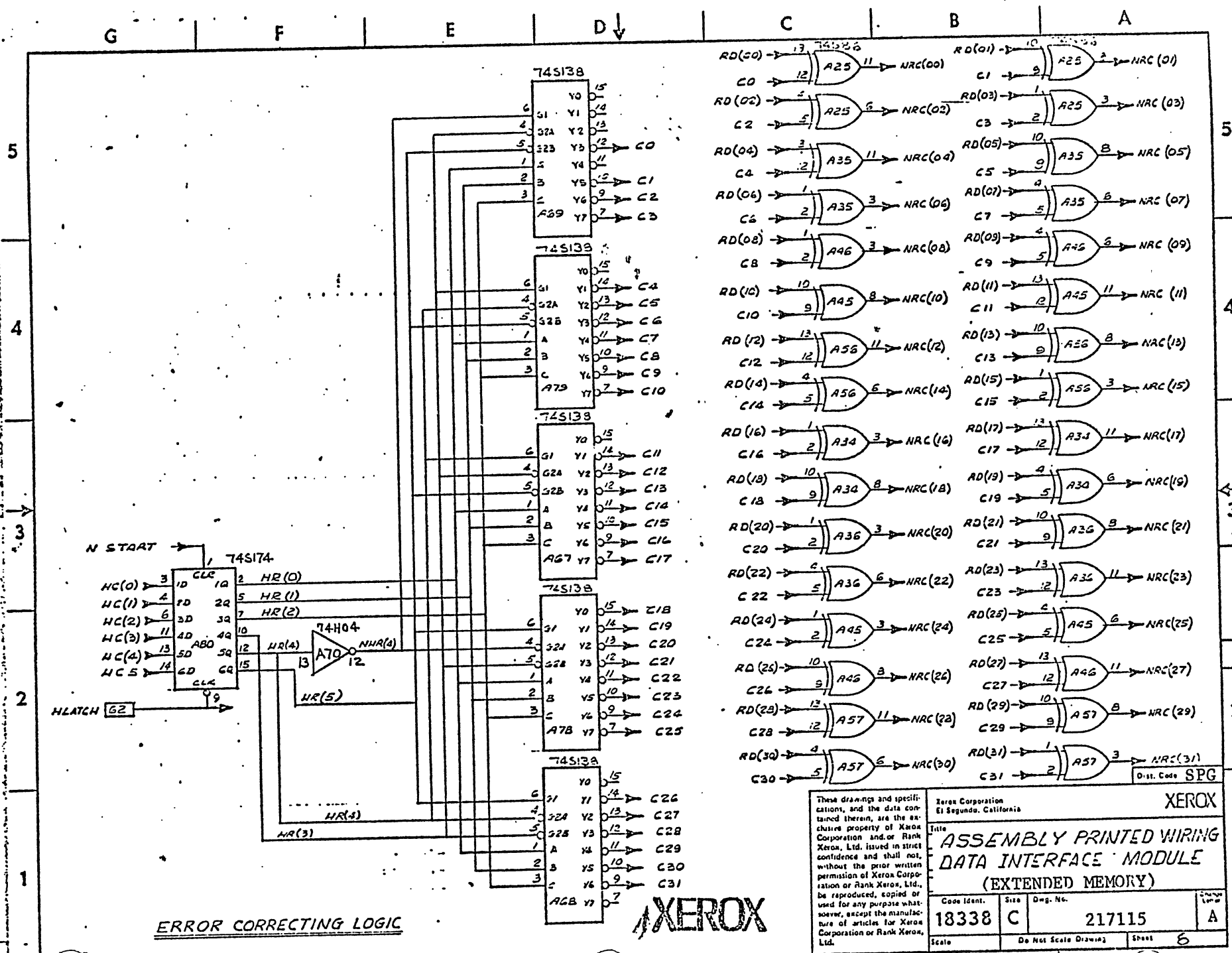


Xerox Corporation
701 South Aviation Boulevard
El Segundo, California 90245

These drawings and specifications, and the data contained therein, are the exclusive property of Xerox Corporation and/or Rank Xerox, Ltd. issued in strict confidence and shall not, without the prior written permission of Xerox Corporation or Rank Xerox, Ltd., be reproduced, copied or used for any purpose whatsoever, except the manufacture of articles for Xerox Corporation or Rank Xerox, Ltd.

Xerox Corporation El Segundo, California		XEROX	
Title ASSEMBLY, PRINTED WIRING - DATA INTERFACE MODULE (EXTENDED MEMORY)			
Code Ident. 18338	Size C	Dep. No. 217115	Cont. Ltr. A
Scale	Do Not Scale Drawing		Sheet 7

G F E D C B A



ERROR CORRECTING LOGIC



These drawings and specifications, and the data contained therein, are the exclusive property of Xerox Corporation and/or Rank Xerox, Ltd. Issued in strict confidence and shall not, without the prior written permission of Xerox Corporation or Rank Xerox, Ltd., be reproduced, copied or used for any purpose whatsoever, except the manufacture of articles for Xerox Corporation or Rank Xerox, Ltd.

Xerox Corporation El Segundo, California		XEROX	
Title ASSEMBLY PRINTED WIRING DATA INTERFACE MODULE (EXTENDED MEMORY)			
Code Ident.	Site	Des. No.	Sheet
18338	C	217115	A
Scale	Do Not Scale Drawing		Sheet 6

G F E D C B A

5

4

2

1

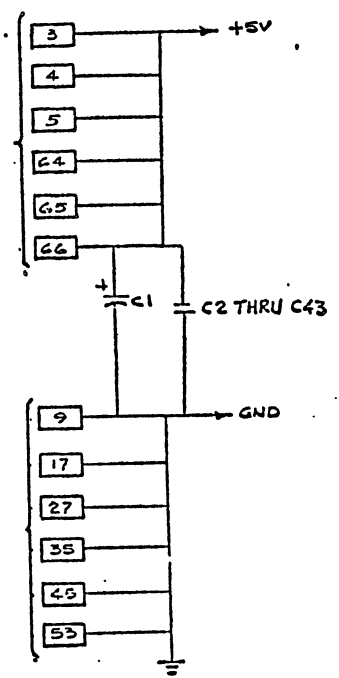
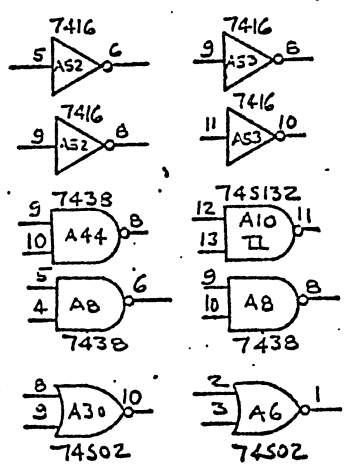
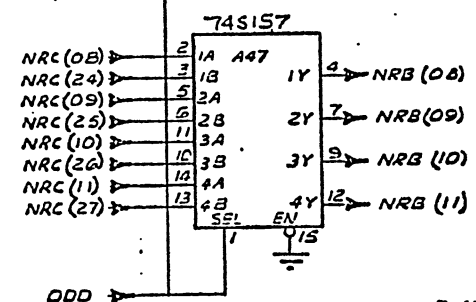
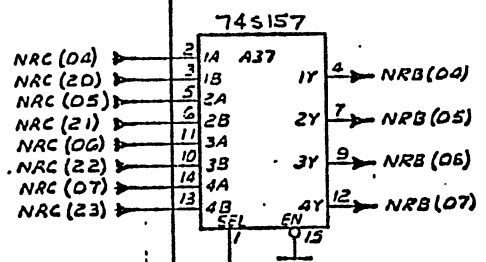
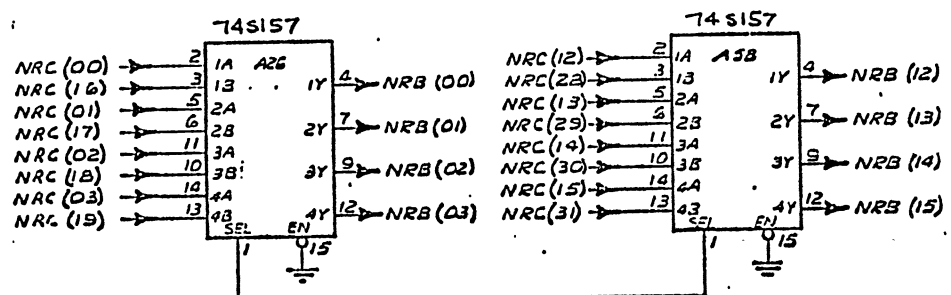
5

4

3

2

1



INPUT DATA MUX



Xerox Corporation
701 South Aviation Boulevard
El Segundo, California

These drawings and specifications, and the data contained therein, are the exclusive property of Xerox Corporation and/or Rank Xerox, Ltd. issued in strict confidence and shall not, without the prior written permission of Xerox Corporation or Rank Xerox, Ltd., be reproduced, copied or used for any purpose whatsoever, except the manufacture of articles for Xerox Corporation or Rank Xerox, Ltd.

Xerox Corporation El Segundo, California		XEROX	
Title ASSEMBLY PRINTED WIRING DATA INTERFACE MODULE (EXTENDED MEMORY)			
Code Ident. 18338	Size C	Orig. No. 217115	Rev. A
Scale	Do Not Scale Drawing	Sheet	9

G F E D C B A

G F E D C B A

5

4

3

2

1

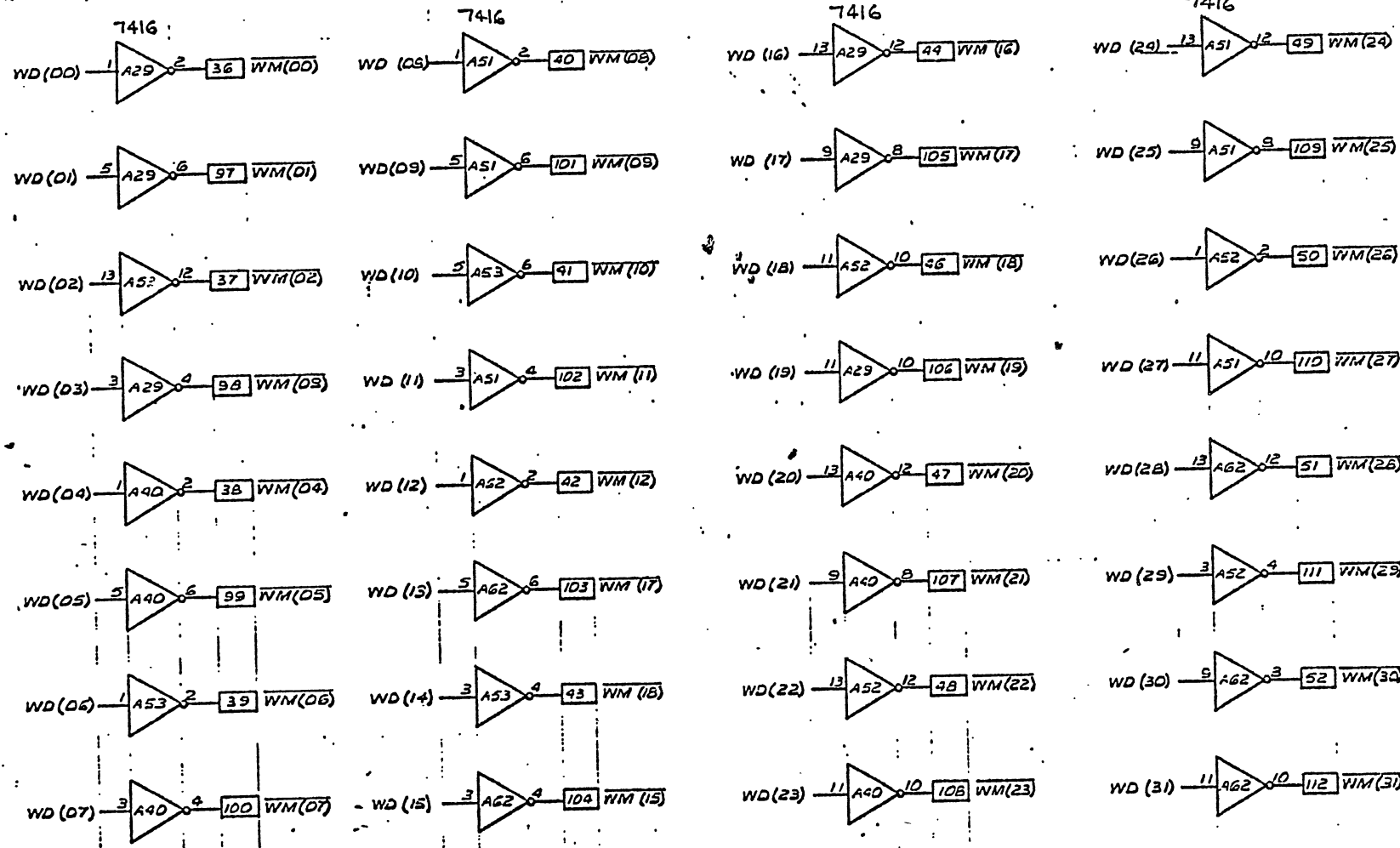
5

4

3

2

1



DATA OUTPUT

XEROX

Xerox Corporation
701 South Aviation Boulevard
El Segundo, California 90245

These drawings and specifications, and the data contained therein, are the exclusive property of Xerox Corporation and/or Rank Xerox, Ltd. issued in strict confidence and shall not, without the prior written permission of Xerox Corporation or Rank Xerox, Ltd., be reproduced, copied or used for any purpose whatsoever, except the manufacture of articles for Xerox Corporation or Rank Xerox, Ltd.

Xerox Corporation
El Segundo, California
XEROX

Title
**ASSEMBLY PRINTED WIRING
DATA INTERFACE MODULE
(EXTENDED MEMORY)**

Code Ident.	Site	Dwg. No.	Draw. Letter
18338	C	217115	A
Scale	Do Not Scale Drawing		Sheet 10

Dist. Code SPG

G

F

E

D

C

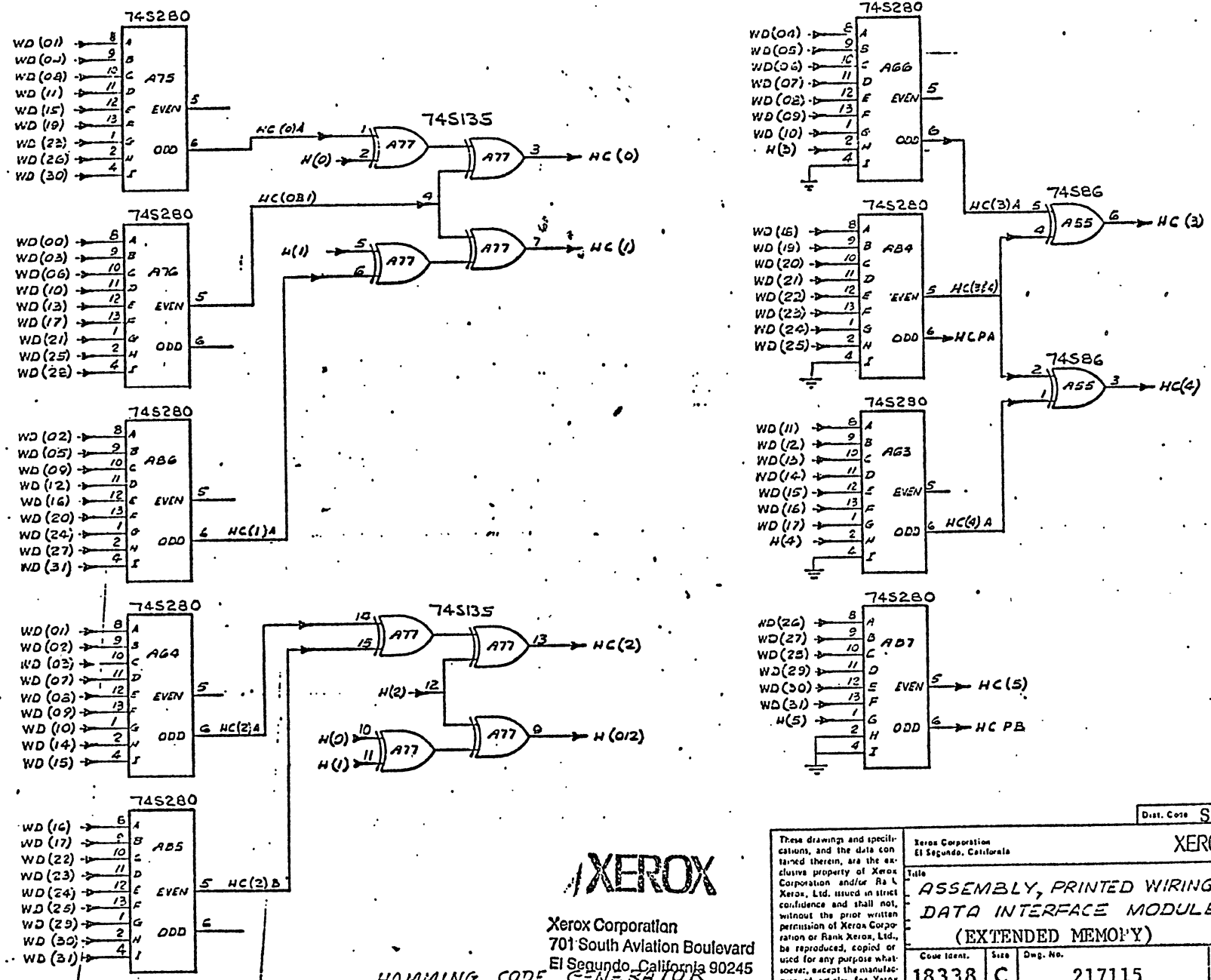
B

A

G F E D C B A

5
4
3
2
1

5
4
3
2
1



Xerox Corporation
701 South Avlation Boulevard
El Segundo, California 90245

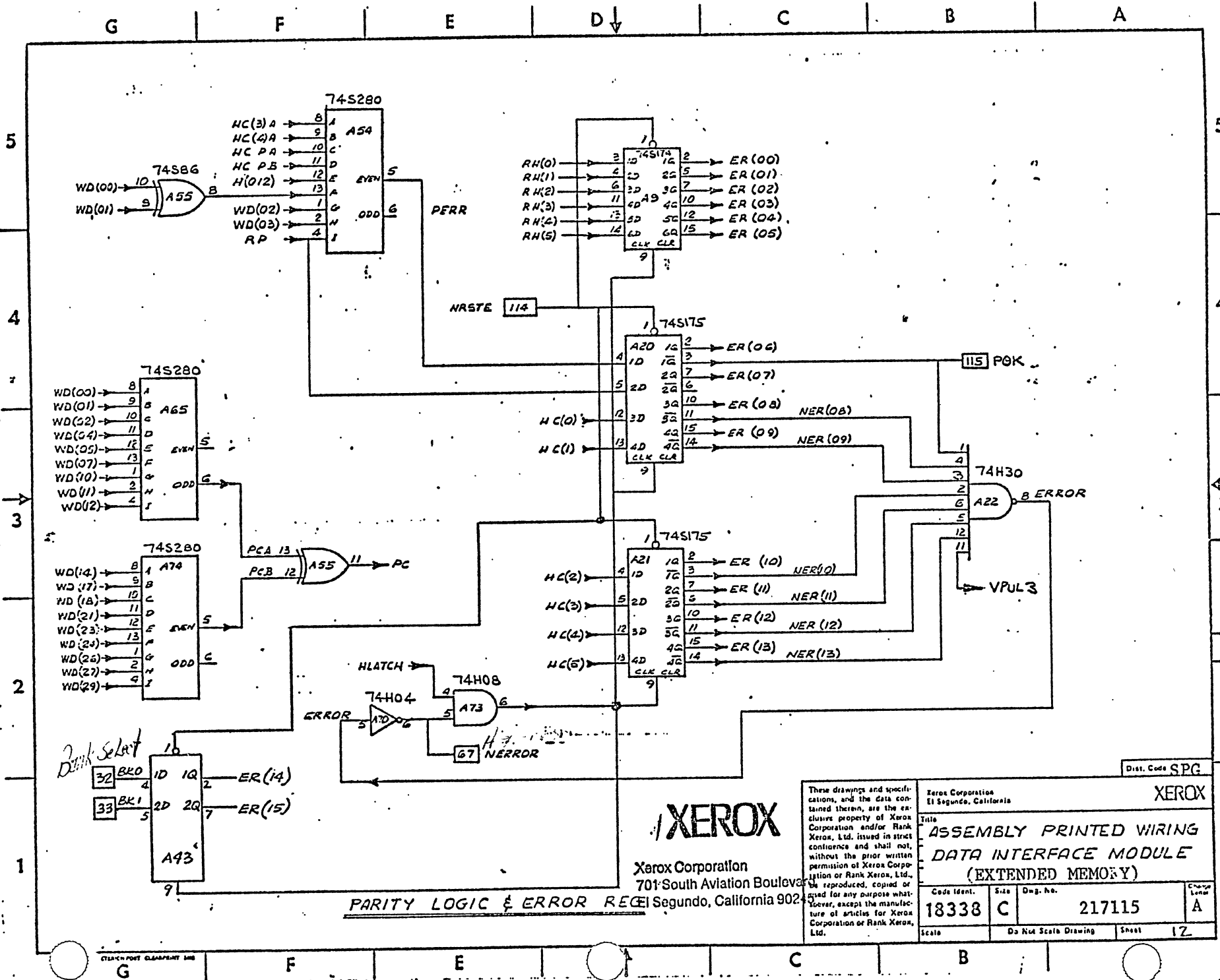
HAMMING CODE GENERATOR

These drawings and specifications, and the data contained therein, are the exclusive property of Xerox Corporation and/or Ral Xerox, Ltd. issued in strict confidence and shall not, without the prior written permission of Xerox Corporation or Rank Xerox, Ltd., be reproduced, copied or used for any purpose whatsoever, except the manufacture of articles for Xerox Corporation or Rank Xerox, Ltd.

Xerox Corporation El Segundo, California		XEROX	
Title ASSEMBLY, PRINTED WIRING - DATA INTERFACE MODULE (EXTENDED MEMORY)			
Draw. No. 18338	Size C	Dwg. No. 217115	Rev. No. A
Scale		Do Not Scale Drawing Sheet 11	

Dist. Code SPG

G F E D C B A



Bank Select

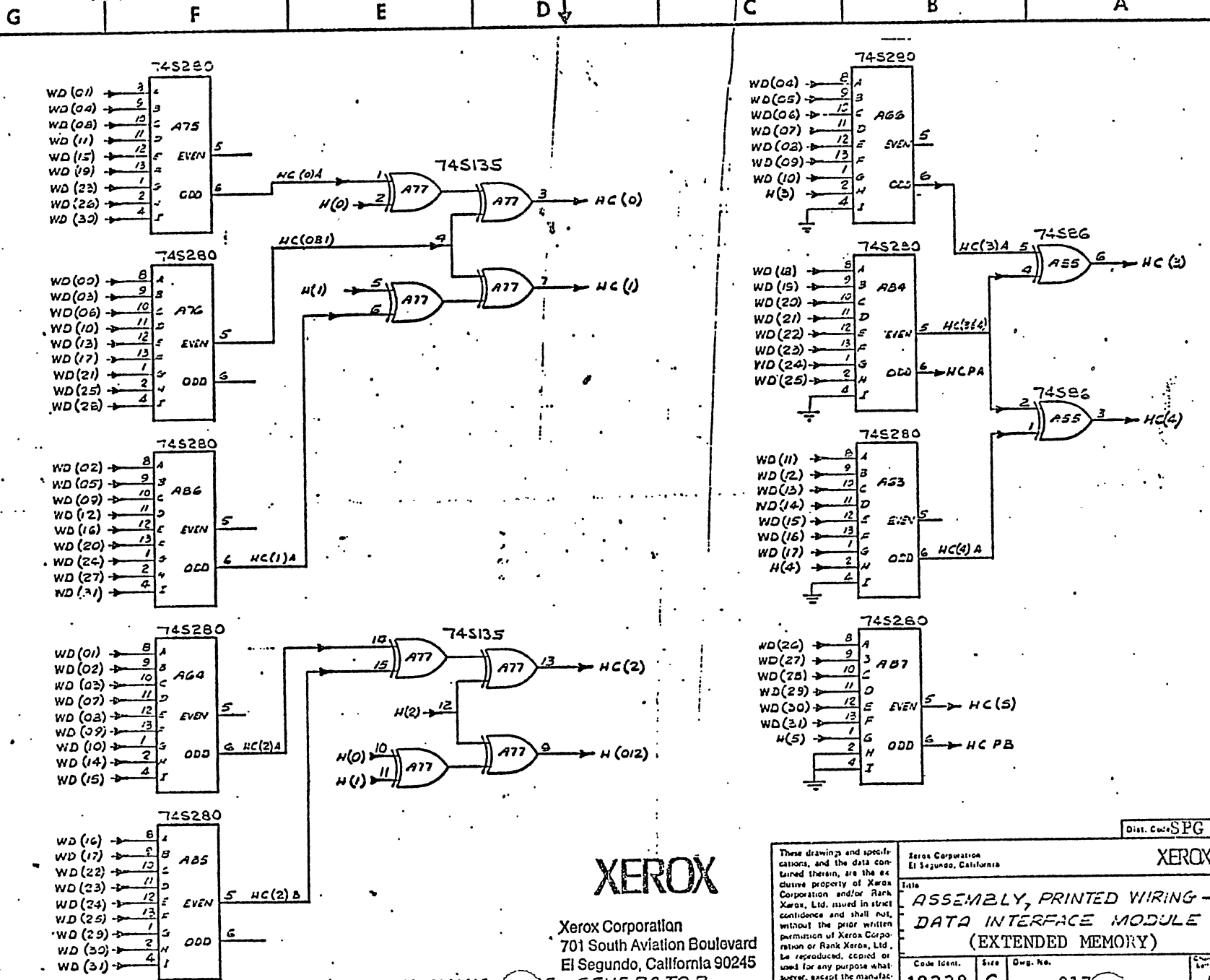
32 BK0 4 1Q 2 ER(14)
 33 BK1 5 2D 2Q 7 ER(15)

XEROX
 Xerox Corporation
 701 South Aviation Boulevard
 El Segundo, California 90245

PARITY LOGIC & ERROR RECEIVER

These drawings and specifications, and the data contained therein, are the exclusive property of Xerox Corporation and/or Rank Xerox, Ltd. issued in strict confidence and shall not, without the prior written permission of Xerox Corporation or Rank Xerox, Ltd., be reproduced, copied or used for any purpose whatsoever, except the manufacture of articles for Xerox Corporation or Rank Xerox, Ltd.

Dist. Code SPG			
Xerox Corporation El Segundo, California		XEROX	
Title ASSEMBLY PRINTED WIRING DATA INTERFACE MODULE (EXTENDED MEMORY)			
Code Ident. 18338	Size C	Dwg. No. 217115	Change Level A
Scale	Do Not Scale Drawing	Sheet	17



XEROX

Xerox Corporation
701 South Aviation Boulevard
El Segundo, California 90245

HAMMING E GENERATOR

These drawings and specifications, and the data contained therein, are the exclusive property of Xerox Corporation and/or Rank Xerox, Ltd. issued in strict confidence and shall not, without the prior written permission of Xerox Corporation or Rank Xerox, Ltd., be reproduced, copied or used for any purpose whatsoever, except the manufacture of articles for Xerox Corporation or Rank Xerox, Ltd.

Xerox Corporation El Segundo, California		XEROX	
Title ASSEMBLY, PRINTED WIRING - DATA INTERFACE MODULE (EXTENDED MEMORY)			
Code Ident.	Size	Orig. No.	Rev.
183338	C	27	A
Scale	Do Not Scale L		13

Dist. Code SPG